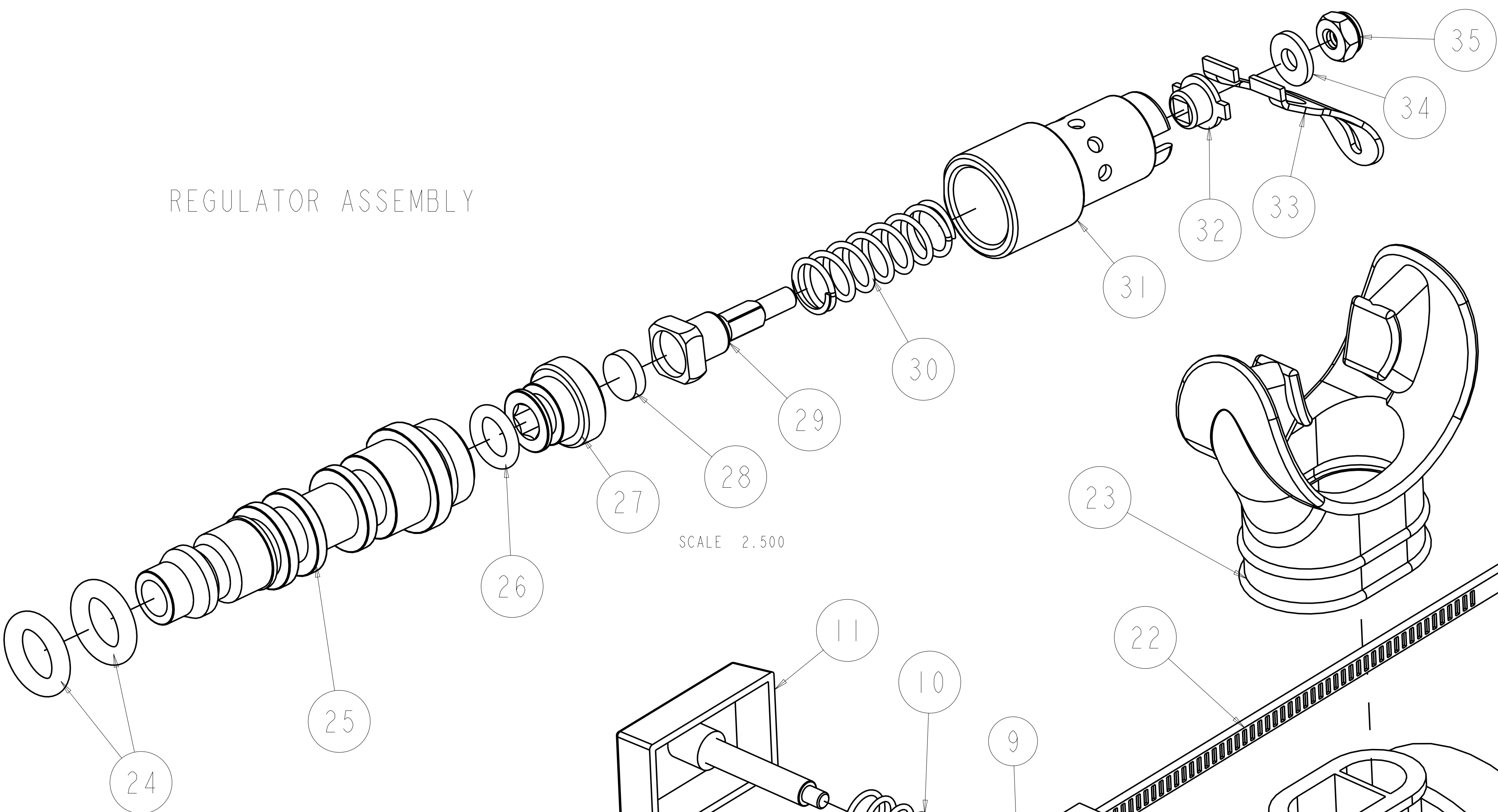


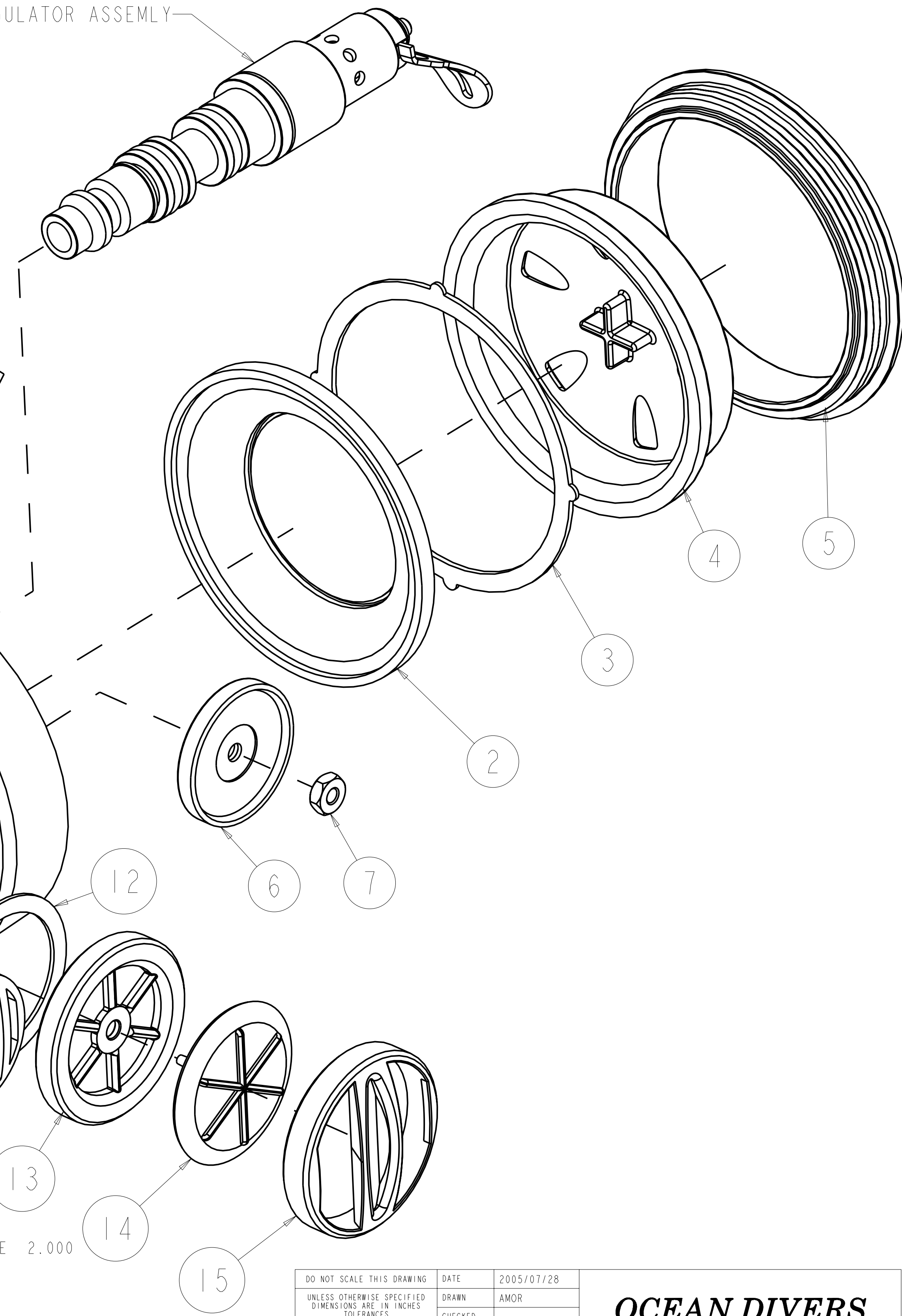
REVISION				
LTR	DESCRIPTION	DATE	APPR	ECN NO
A				

REGULATOR ASSEMBLY



SCALE 2.500

REGULATOR ASSEMBLY



SCALE 2.000

DO NOT SCALE THIS DRAWING	DATE	2005/07/28		
UNLESS OTHERWISE SPECIFIED DIMENSIONS ARE IN INCHES	DRAWN	AMOR		
TOLERANCES	CHECKED			
ANGLES ± 1°	APPROVED			
.x ± .1	APPROVED			
.xx ± .01	APPROVED			
.xxx ± .005				
FRACTION ± 1/64				
MATERIAL:	FINISH:	SIZE	USED ON	DRAWING NO.
SEE NOTES	SEE NOTES	D		AW3-005-01
		SCALE:	FILENAME:	REV
				1
				SHEET 1 OF 2

OCEAN DIVERS

TITLE AIRWAY REG - DIVE RITE

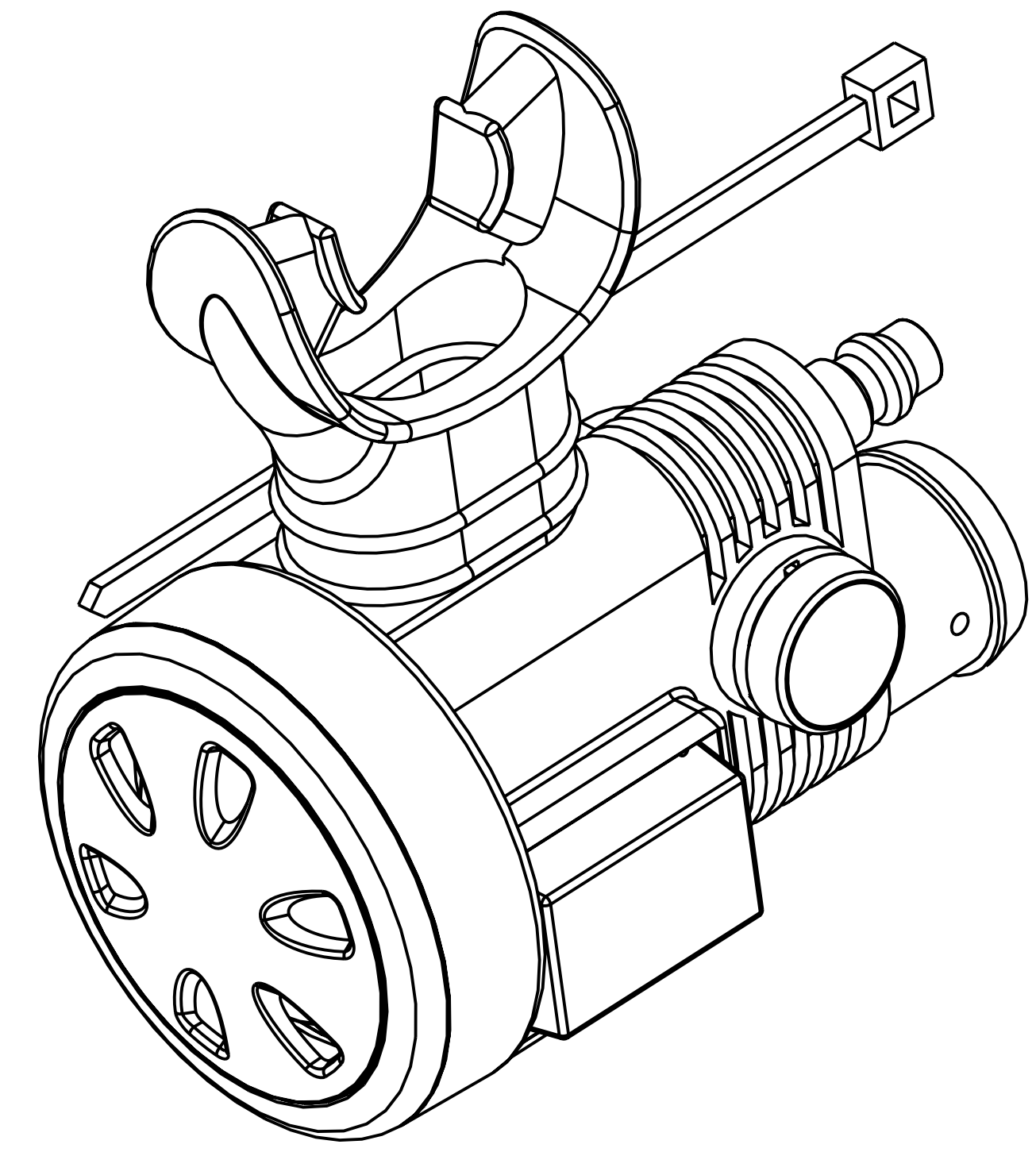
REVISION				
LTR	DESCRIPTION	DATE	APPR	ECN NO
A				

AIRWAY-REG PART LIST

NO	ITEM NO	DESCRIPTION	USD	Q'TY
1	A-03-005-01	MAIN HOUSING	2.70	1
2	B-03-005-03	DIAPHRAGM	0.80	1
3	A-03-005-02	DIAPHRAGM WASHER	0.15	1
4	A-03-005-10	PU COVER	0.50	1
5	A-03-005-11	COVER RING	1.50	1
6	B-03-005-04	RELEASE SEAT	0.80	1
7	C-03-005-07	NUT	0.15	1
8	O-AS568-008-01	O-RING	0.05	1
9	P-03-005-03	RELEASE SS WASHER	0.15	1
10	D-03-005-02	RELEASE BUTTON SPRING	0.20	1
11	B-03-005-01	RELEASE BUTTON	1.25	1
12	A-03-005-08	EXHAUST VALVE SEAT WAHER	0.15	1
13	A-03-005-04	EXHAUST VALVE SEAT	0.20	1
14	A-03-005-05	EXHAUST VALVE	0.15	1
15	A-03-005-03	EXHAUST VALVE COVER	0.20	1
16	D-03-005-03	SUPPLY BUTTON SPRING	0.20	1
17	O-AS568-006-01	O-RING	0.06	1
18	B-03-005-02	SUPPLY BUTTON	0.80	1
19	C-03-002-02	RUBBER VALVE SEAT	0.30	1
20	O-AS568-017-01	O-RING	0.06	1

AIRWAY-REG PART LIST

NO	ITEM NO	DESCRIPTION	USD	Q'TY
21	A-03-005-07	CAP SCREW - SUPPLY	0.15	1
22	A-02-010-12	NYLON TIE	0.04	1
23	A-02-011-05	MOUTHPIECE 4485	0.80	1
24	O-AS568-109-01	O-RING	0.06	2
25	C-03-005-03	INFLTOR MALE	3.00	1
26	O-AS568-010-01	O-RING	0.06	1
27	C-03-005-05	ORIFICE - BRASS	0.80	1
28	A-03-005-09	LP SEAT	0.15	1
29	C-03-005-04	POPPET	0.80	1
30	D-03-005-01	MAIN SPRING - REG	0.20	1
31	C-03-005-06	VALVE HOUSING - REG	1.77	1
32	A-03-005-06	POPPET WASHER	0.15	1
33	S-03-005-01	LEVER ARM	0.70	1
34	C-03-005-01	LEVER ARM WASHER	0.15	1
35	C-02-010-06	NUT SCREW - POPPET	0.15	1
36	P-03-005-01	BOWED E-RING (BETW-9)	0.15	1
		TOTAL	19.50	
		LP HOSE	6.25	1
		RE VALVE WITH CORRUGATED HOSE	6.25	1
		TOTAL/ SET	32.00	SET



SCALE 1.500

DO NOT SCALE THIS DRAWING	DATE	2005/07/28	OCEAN DIVERS	
UNLESS OTHERWISE SPECIFIED DIMENSIONS ARE IN INCHES TOLERANCES: ANGLES ± 1° X ± .1 .XX ± .01 .XXX ± .005 FRACTION ± 1/64	DRAWN	AMOR		
MATERIAL: SEE NOTES	FINISH: SEE NOTES	CHECKED	SIZE	D
		APPROVED	USED ON	DRAWING NO. AW3-005-01
		APPROVED	SCALE:	FILENAME:
				SHEET 2 OF 2